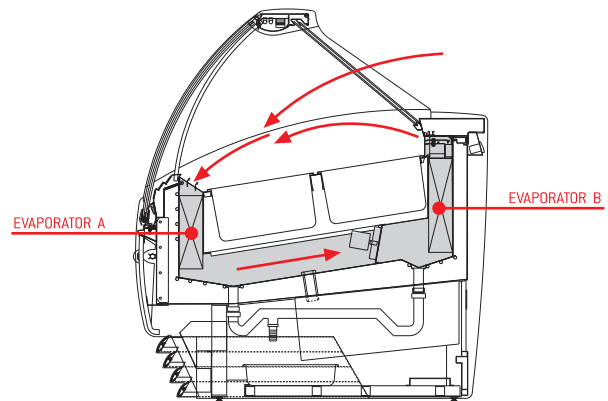
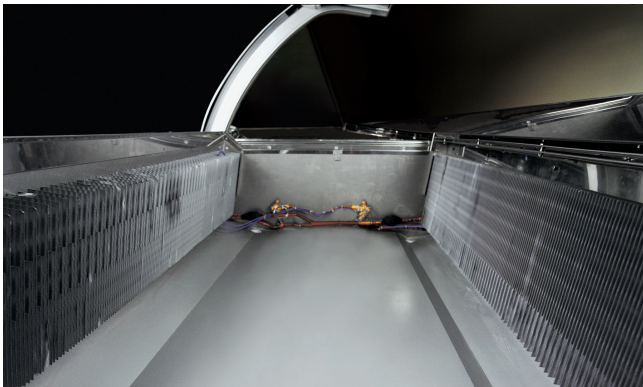


## GELATO DISPLAY CASES CLASS AND SPECIAL only in the version with 2 evaporators.



Starting from today, gelato display cases Class and Special are available only in the version with 2 evaporators, in all the modules, linear and corners.

In IFI's double evaporator display cases, the air flux is from operator's side to customer's side. The air that enters the display case full of humidity is sucked in through evaporator A and, once chilled, is shot through evaporator B and from there exits over the product. The 2 evaporators are set in order to defrost at different times, every 4 [A] and every 12 hours [B]. Such defrostings can be set by the operator in a different manner depending on his/her service needs and climate condition.

Evaporator A, customer's side, has the goal of keeping relative humidity low, while the operator's side B, maintain the temperature of the gelato. Evaporator A has a wider space between the fins: the humidity that sticks to the fins of evaporator A and becomes ice will not close the air flows and the display case will be able to work longer.

Now, all IFI's professional display cases - Cubika, Aktiva, Class, Special - are equipped with 2 evaporators, in the linear and corner modules.



Special



Class