

MIX: IFI's new snack display case.

Cold snack display cases have always been a necessity for our target market: indeed, no bar is complete without at least one. It is our aim therefore to stand above the rest with a technologically advanced, competitive product.

IFI's new **Mix** display case is the evolution of the cold snack display case, with many important technical improvements. It already offers these services:

Cold snack display cases:

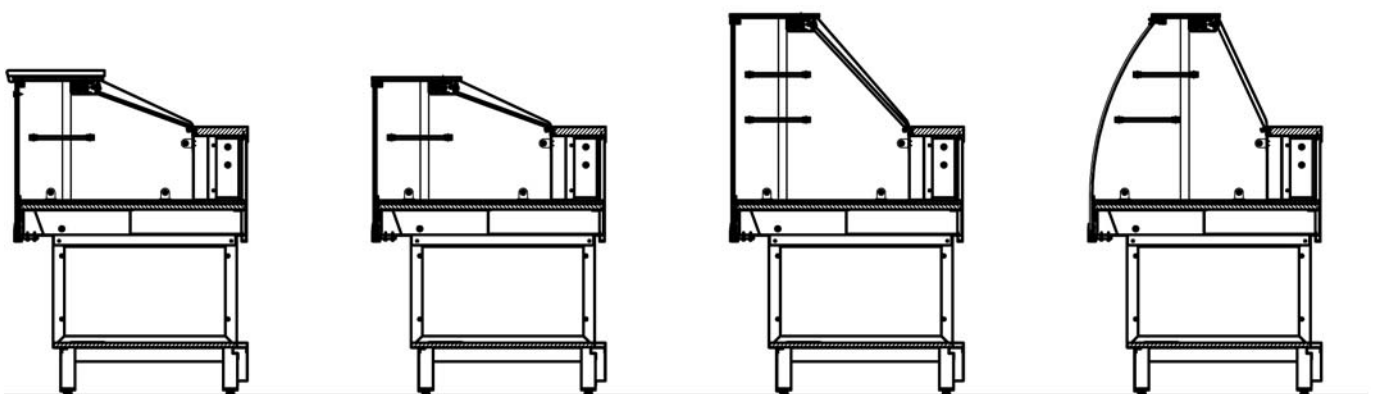
- static cold
- static cold/hot (from February 2010)

Hot snack display cases:

- dry hot
- hot bain marie

Four types of **glass frame**:

- High curved glass
- High straight glass
- Low straight glass
- Low straight glass equipped for marble top.



LOW STRAIGHT GLASS
EQUIPPED FOR MARBLE TOP

LOW STRAIGHT
GLASS

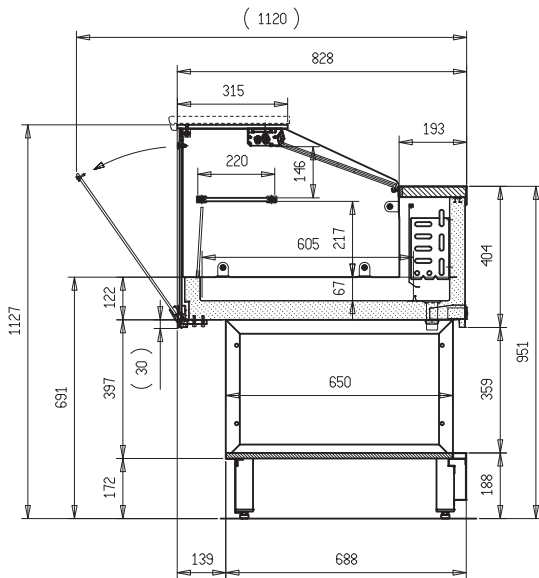
HIGH STRAIGHT
GLASS

HIGH CURVED
GLASS

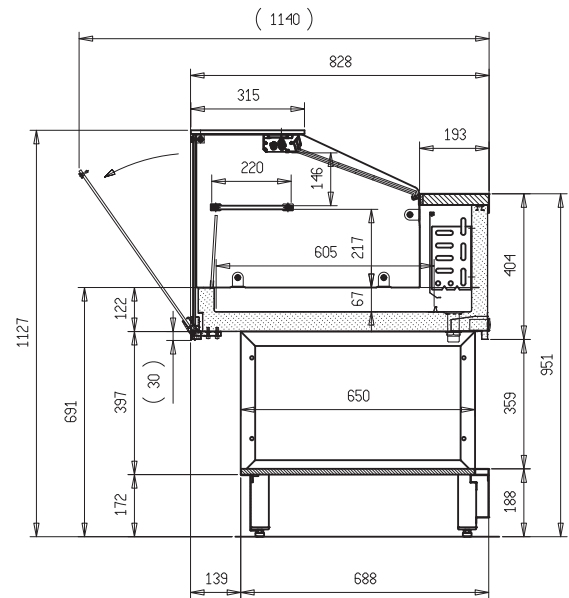
A type of **corner**:

- 90° curved open corner.

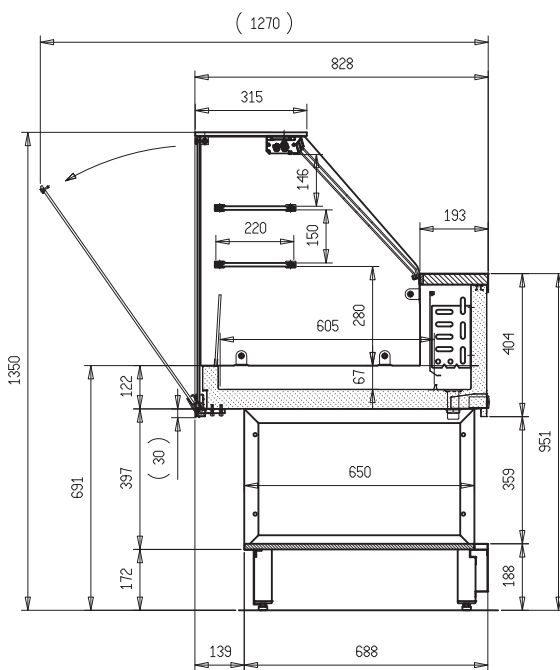
LOW STRAIGHT GLASS EQUIPPED FOR MARBLE TOP



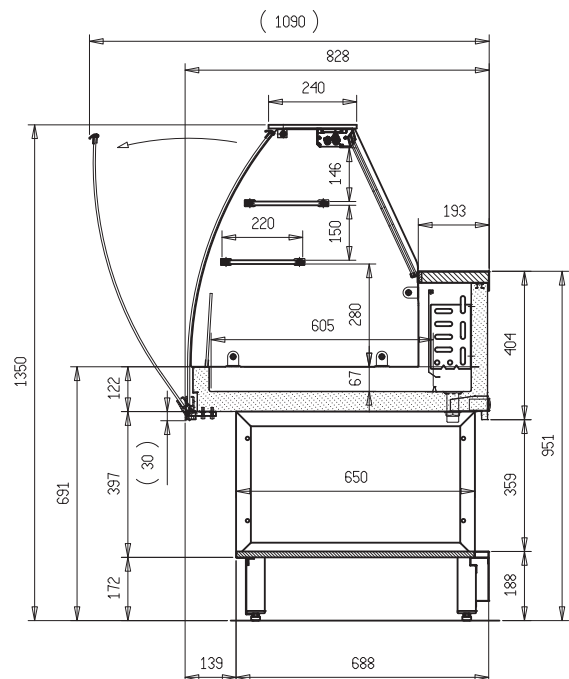
LOW STRAIGHT GLASS



HIGH STRAIGHT GLASS



HIGH CURVED GLASS



MIX: Headlines.

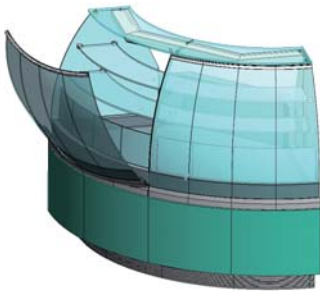
These are the finest new products offering the most and best improvements so far.

1. OPENABLE GLASS FRAMES

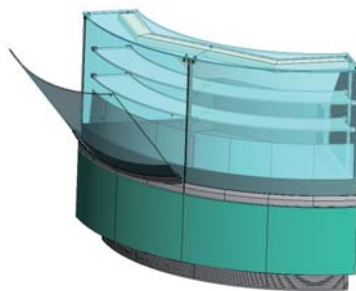
All the linear and curved modules of the Mix display cases with high curved and straight, and low and straight glasses can be opened from the top downwards.

2. THE CORNERS

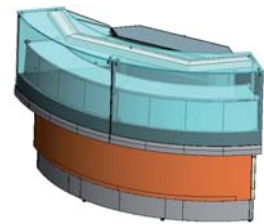
The 90° open curved corner of the new Mix also features on display cases with high curved glass cases openable from the top downwards.



90° curved corner
HIGH CURVED GLASS



90° curved corner
HIGH STRAIGHT GLASS



90° curved corner
LOW STRAIGHT GLASS

3. THE TUB

The tub has a foam monoblock structure. The tub is made of a single piece of AISI 304 stainless steel with Scotch Brite finish and ensures a close fit between the display surface and outer rim with radial internal corners: this prevents the build-up of dirt and guarantees a good firm structure.



To prevent condensation on the tub:

The tub is entirely in stainless steel: for the thermal cutting, a heat cable is inserted in a polyurethane coated aluminium tube that runs all around the outside of the body.



4. THE GLASSES



To prevent air infiltration:

The glass front and side panels are applied directly on the steel tub to prevent all air infiltration.



To prevent condensation on the glass front:

All of the cold display case's modules feature thin anti-condensation glass for retaining the cold.



The glass sides:

All the glass sides are flush with the structure and are not heated, unless requested. There is aluminium piping on one side that contains all the electrical cables for the ceiling and any heated shelves. There are optional heated glass sides to prevent condensation in especially humid environments.

5. SLIDING PLEXIGLAS PANELS



All the sliding Plexiglas panels have a fitted handle without holes. They are made of transparent Plexiglas to ensure a hygienic seal.

6. LIT LAMP-HOLDER

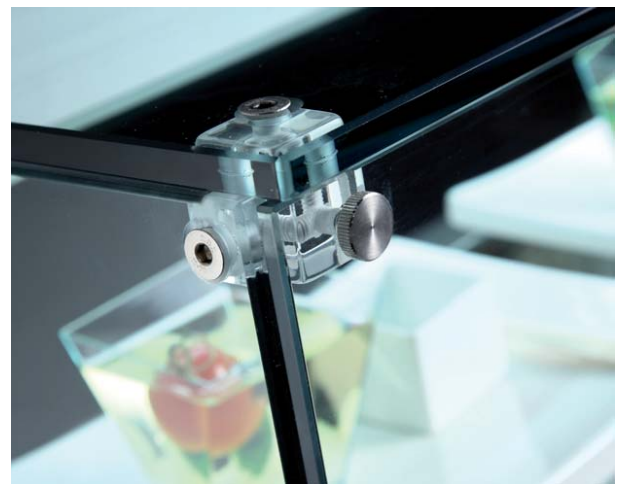
The lamp-holder has die-cast caps on the ends. The lamp-holder, hinge and sliding guides are made of silver-coloured anodized aluminium.



7. SCREWS, NUTS AND BOLTS FOR ATTACHING THE GLASS PANELS

All the screws, nuts and bolts for attaching the glass panels to the frame are made of stainless steel. There are countersunk holes in the glass panels to prevent protrusion of the heads of the screws.

There is also a graceful, aesthetically pleasing transparent methacrylate cube that connects the side, hood and glass front.



8. GLASS SHELVES

The glass shelves are slightly shorter, leaving a gap between the glass side to facilitate cleaning.



9. GROOVE FOR EVAPORATOR TUBES



The Mix cold case has a groove in the frame through which the refrigeration cables pass: Simply unscrew the work surface and evaporator grille and you can then easily remove the entire refrigerating unit without having to move the case: it is an easy operation.

10. THE POSITION OF THE CONDENSER



If there are units on board, the condenser is situated on the server's side. Simply unscrew the protective mask on the motor compartment, separated by the platform rabbet groove, for easy cleaning of the condenser.

For the case to work correctly, make sure to keep the area clear near the side vents - try not to put any goods next to them.

If there are reserve cells, the unit is re-situated with the condenser on the customer's side.

11. DISPLAY SURFACES

The dry hot and cold/hot versions have display surfaces made of tempered glass with conductive screen-printing. The dry hot and cold/hot versions have 1000 - 1250 - 1500 linear modules.

All the cases in the various configurations (cold, bain marie, dry hot) are at the same level and 260 mm lower than the work surface, at 951 mm.



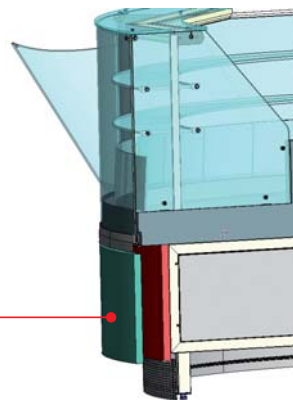
12. FRONT FINISH

The hinge for opening the panels of the Mix display case is made of matt anodized aluminium.

The tub stows away so does not require aesthetic customization.



The panels under the case can also be set back, as according to current IFI aesthetics, or be flush with the front panels, as in the case of the Maxim to be released shortly. The panels have been moved by shifting the opening point of the front glass panels, minimizing the "space" between the lower profile of the case and the panels.



13. RESERVE CELL

A reserve cell can be supplied with the cold display case modules; it has a single condensation unit and two controls for separate use of the case and cell. The versions are as stated.

You will find the price list inside extranet on IFI's website.

Module	Cell	
100	NO	-
125	100	only NUC
150	100	UC
200	150	UC