

NEW SKY GELATO - depth 984 mm

The most compact IFI gelato display case is now professional.

SKY, the most compact IFI case just **984 mm** in depth, is now a professional gelato display case:

- **COMPACT SIZE**
- **PROFESSIONAL GELATO PANS**
of 360x165 or 360x250 in double rows
- **VENTILATED REFRIGERATION**

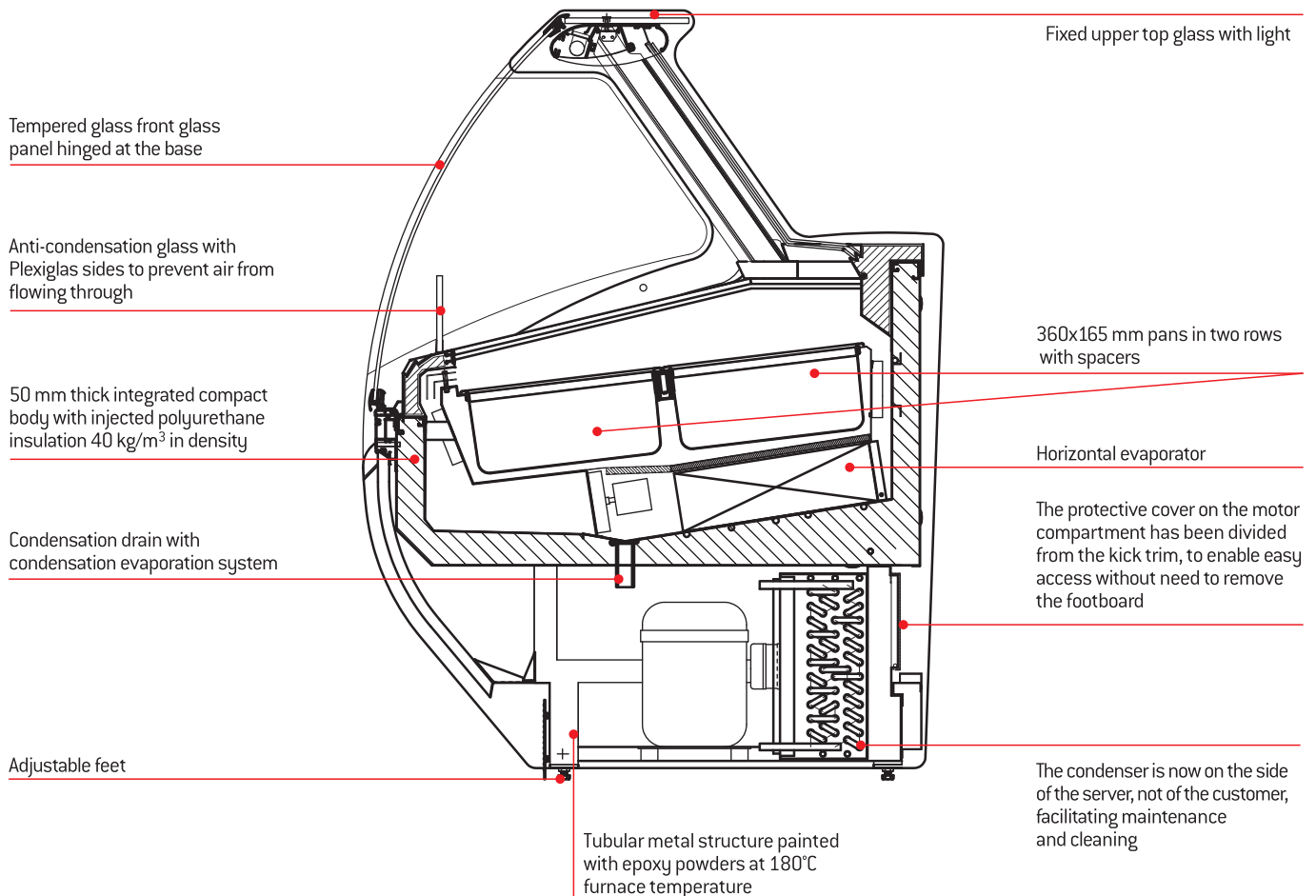
These are the plusses of the new **SKY** gelato display case, the same size on the outside as the previous model and with anodized aluminium glasses. This case can be joined with all other services in the same line: pastry, pralines, bakery, hot-dry snack unit and ambient display case.

SKY is currently the only display case on the market of less than a metre in depth, that can take professional 360x165 pans. SKY is perfect for anyone who wants a professional display case but has little space!



The work surface on the serving side and profile on which the flavour sign is placed - neutral and no longer illuminated - are now smaller so professional pans of 360x165 and 360x250 can now be placed in two rows. The neutral flavour-sign profile gives the gelato vendor more freedom to personalize and position the labels.





The refrigerating system features quick automatic hot gas defrosting if fitted with normal condensing unit, and reverse cycle in the case of a remote condensing unit (one cycle every 8 hours). There is ventilated refrigeration with horizontal evaporator, a discharge vent on the customer's side and intake vent on the server's side.

The new **SKY** comes with **single-phase hermetic compressor** and an on-board or remote motor.

The display case has been tested at 32°C with 60% relative humidity, is CE certified for Europe and ETL certified for North America.

There are also these optional accessories to further enhance service during the year:

- **A stainless steel cake tray**
- **Stainless steel trays for gelato cups**
- **Plexiglas trays for single portions**
(to be put in the stainless steel trays for gelato cups).

The prices of the new SKY gelato model are the same (c.f. new Espresso price list). You can also use non-professional 260x160 mm pans - simply tell the IFI Sales Office when you place your order.