

## IFI INTRODUCES MAXIM, THE NEW 4-STAR.

**MAXIM IS THE NEW 4-STAR COUNTER BY IFI.** A MODERN, CONTEMPORARY AND EXTREMELY VERSATILE COUNTER STYLE, WHICH CAN BE SUITABLE TO DIFFERENT KINDS OF CUSTOMERS, ACCORDING TO THE LAYOUT AND CHOICE OF MODULES. MAXIM CAN BE LAID OUT IN SIMPLE, ONE-COLOUR COMPOSITIONS WHICH MAY BE PRICE-COMPETITIVE WITH IFI'S METROPOLIS OR IN MULTI-COLOUR, MULTI-DEPTH COMPOSITIONS WHICH WOULD BE MORE IN LINE WITH IFI'S INCONTRI.



Main features:

### 1. ALIGNMENT WITH COLD DISPLAY CASES

The front panel can be flush with the snack case trim: no more steps between counter and cases, bringing on simple, clean outlines.

### 2. RECESSED NICHE

1151 mm high modules can also be recessed with a lacquered finish. This niche allows customers to sit at the bar on stools. The difference between a niche and advanced paneling helps identify service areas: an area for quick consumption standing up, and another for a more relaxed time sitting down. The niche also offers highly effective geometrical and chromatic variation.

### 3. 40 cm DEEP COUNTERTOP

The MAXIM countertop is 40 cm in depth, deeper than other IFI's counter modules.



#### 4. 30 cm PLINTH

The plinth is 30 cm in height, creating a new ratio between the upper and lower part of the counter and giving the impression of a floating counter.

#### 5. THE SIDE

The conglomerate countertop bends right down the side to the ground, closing off the counter. The side acquires importance - becoming not just functional but also a highly aesthetic feature.



### KEY FEATURES OF THE PRODUCT

#### FINISHES:

MAXIM is available in three different aesthetic versions:

- Lacquered (*all RAL colours, matt or polished finish*)
- In wood laminate (*whitened Antibes oak or bog oak – both with sandblasted wax effect*)
- In laminate (*Polished Cuba rosewood finish or Teak Liu laminate*)

#### WOOD LAMINATES

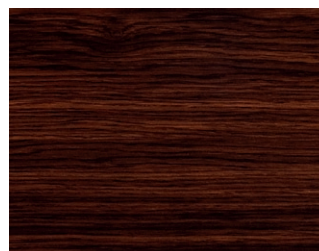


WHITENED ANTIBES OAK



BOG OAK

#### LAMINATES



CUBA ROSEWOOD



TEAK LIU

#### COUNTERTOP

400 mm in depth – made of conglomerate or natural stone.

#### 951 mm HIGH MODULES

With worktops in conglomerate or natural stone, or in stainless steel with the front bevel in stone.

## END PANELS

- Lacquered, 20 mm thick.
- In conglomerate or natural stone, 20 mm in thick.
- Lacquered, 40 mm thick, with a vertical stone element in the same form as the countertop.  
*(with the effect of extending the countertop)*



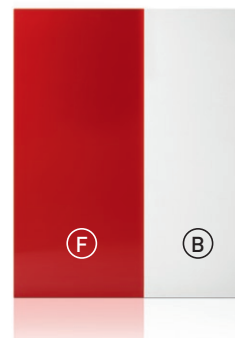
**H 1151**  
- MARBLES, GRANITES,  
AGGLOMERATES  
- ALL RAL LACQUERS



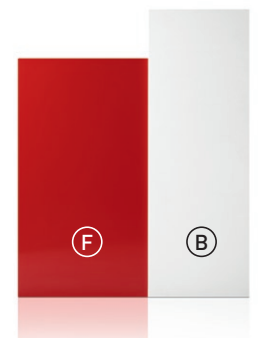
**H 1151**  
- MARBLES, GRANITES,  
AGGLOMERATES  
- ALL RAL LACQUERS



**H 951**  
- MARBLES, GRANITES,  
AGGLOMERATES  
- ALL RAL LACQUERS



**H 1151**  
WITH GROUND COUNTER TOP:  
**B**\_ COUNTER TOP: MARBLES,  
GRANITES, AGGLOMERATES  
**F**\_ SIDE: ALL RAL LACQUERS



**H 1151**  
WITH GROUND COUNTER TOP:  
**B**\_ COUNTER TOP: MARBLES,  
GRANITES, AGGLOMERATES  
**F**\_ SIDE: ALL RAL LACQUERS

**CORNERS** faceted or curved.

## PLINTH

(H= 300 mm.) can be in extruded anodized aluminium or agglomerate or natural stone.

## BACK SHELVING

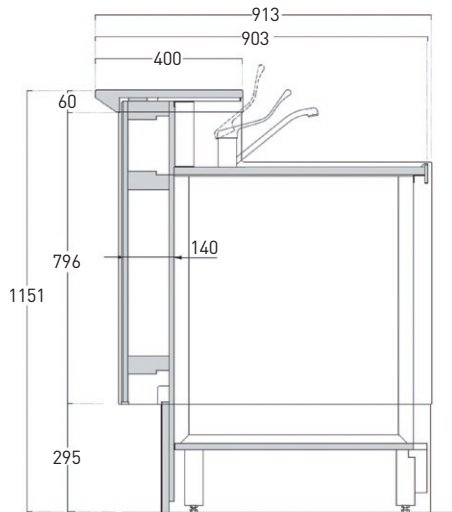
- Independent structure, "C" shaped and made with two horizontal and parallel anodized aluminium extrusions, a back, and two thick end elements. For lighting there is a set of LEDs set in the top aluminium profile. The back can be decorated in the same way as the counter panelling, while the end elements are always lacquered.
- A square structure (Lux model) consisting of anodized extruded aluminium profiles fitted with "squares" measuring about 50x50 cm, on which the luminous shelves can be fitted in well-spaced, pre-determined positions. The square shelves can be decorated in the same way as the bar counter *(or differently, on request)*, while the shelves are made of stainless steel and glass with inset fluorescent tube lighting *(c.f. September 2009 News)*.



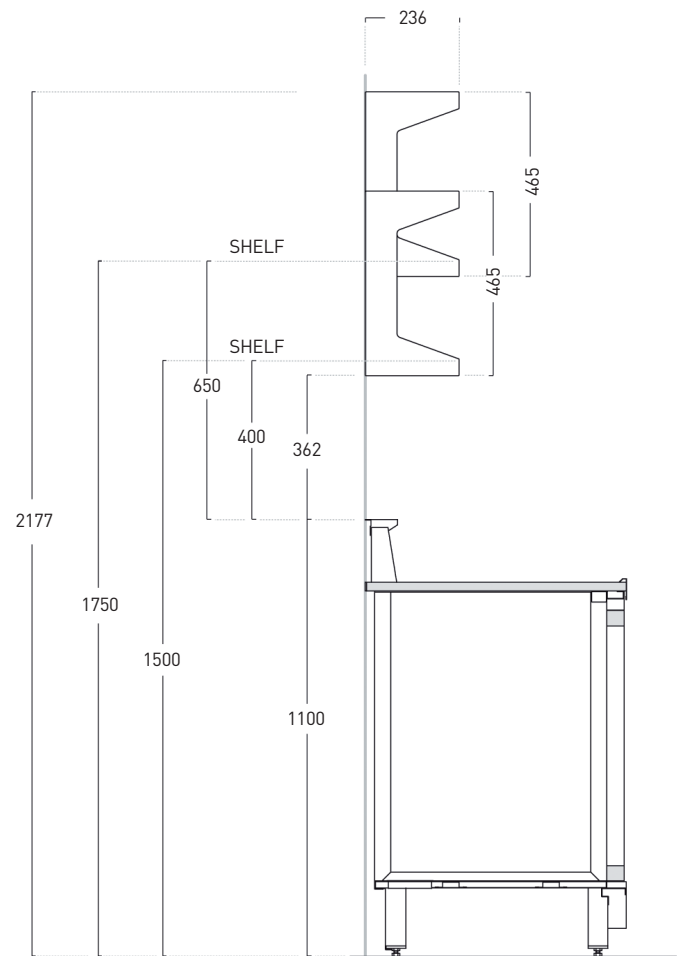
You will find the price list inside extranet on IFI's website.

## SECTIONS

H.1151 WITHOUT NICHE



BACK SHELVING



H.1151 WITH NICHE

