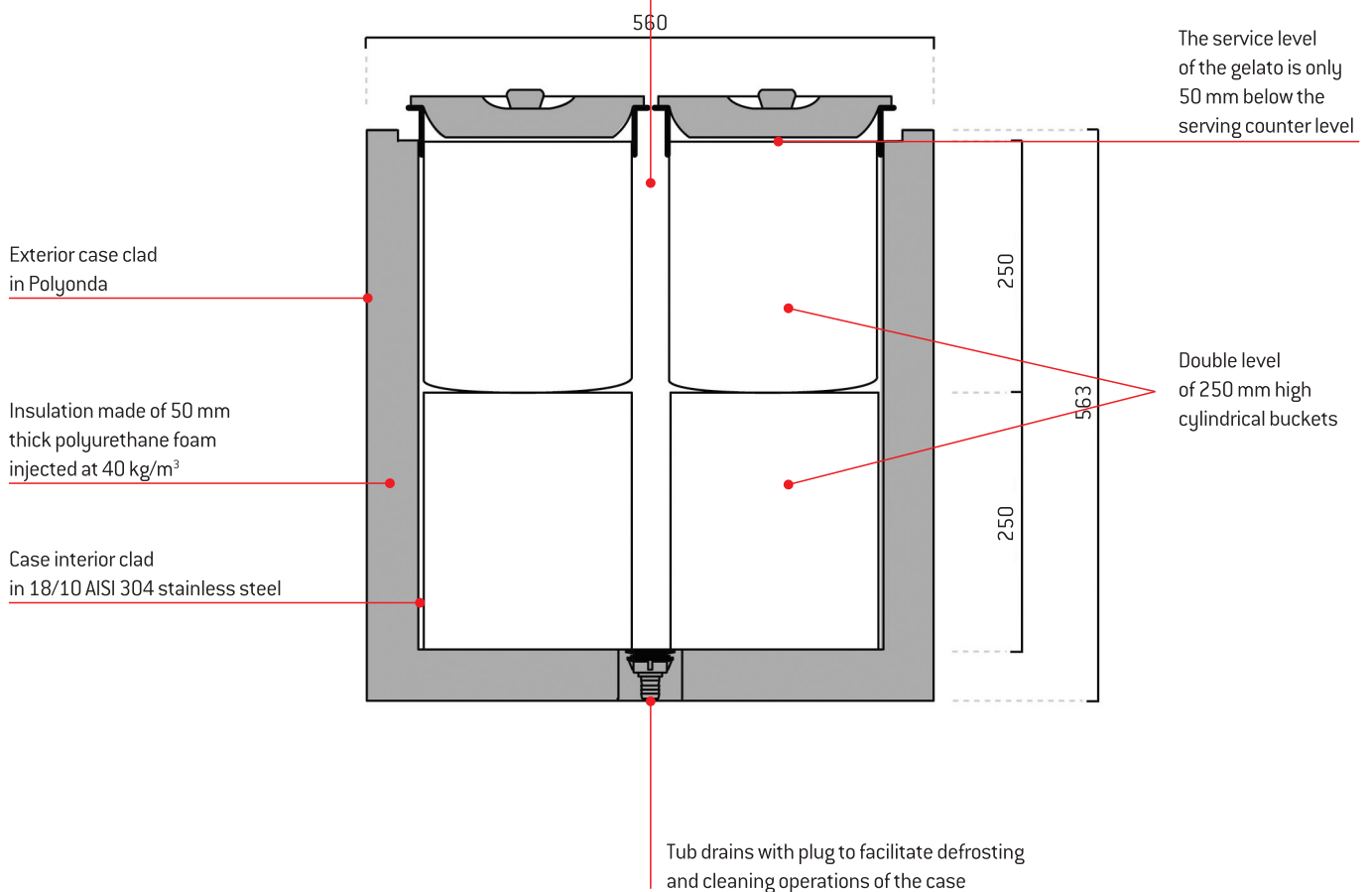


VENTILATED GELATO TUBS.

In 2005 IFI launched the first range of gelato tubs adopting also for this traditional product the innovative method of ventilated refrigeration. Thanks to the ventilation system many of the problems connected to glycol refrigeration are overcome with an excellent price/performance ratio.

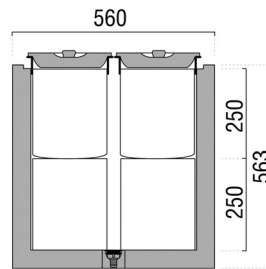
Internal fans to move the air and stabilize the temperature with resulting reduction in the thermal delta between the upper part and the bottom of the basin. The gelato contained in the reserve cylindrical buckets is in this way ready for use



The IFI ventilated tubs range has 3 different solutions:

1. Gelato tubs - not installed:

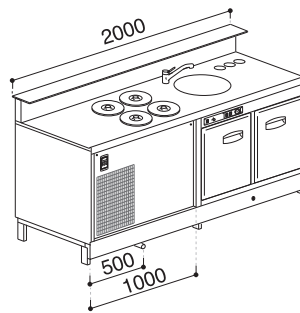
To allow the broadest freedom of installation inside a counter (the basin does not include the stainless steel work surface with holes for cylindrical buckets);



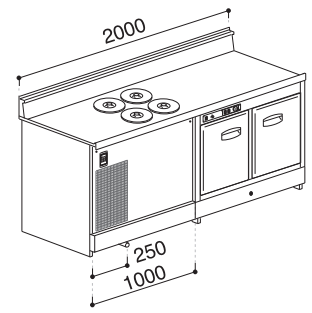
	Width
2 tubs	322 mm
4 tubs	560 mm
6 tubs	807 mm
8 tubs	1054 mm
10 tubs	1301 mm
12 tubs	1548 mm

2. Gelato tubs - installed:

One may choose to have it installed inside the bar counter or neutral back base (P 63 cm), with the stainless steel work surface with holes for cylindrical buckets (the price of the bar front counter or back bar base chosen is to be added to the price of the installed tubs);



Example of installation - bar counter

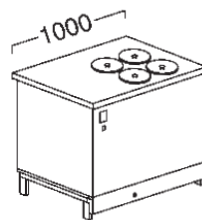


Example of installation - back base

3. Gelato tubs counter:

A stand-alone module height 951 mm that may be installed:

- In the Lux, Dionysus, Havana, Metropolis, Planet, Planet Tech and Bourbon front panelling with specific glass countertop
- In the Reflex, Incontri & Kaleidos front panelling with specific glass countertop or with the countertop that is specific for the panelling itself.



	With motor	Without motor
4 tubs	1000 mm	1000 mm
6 tubs	1500 mm	1000 mm
8 tubs	1500 mm	1500 mm
10 tubs	2000 mm	1500 mm
12 tubs	2000 mm	2000 mm
6+8 tubs	2500 mm	
8+8 tubs	3000 mm	2500 mm
8+10 tubs	3000 mm	
10+10 tubs		3000 mm
6 tubs- angle		angle 45°

Optional small counter in tempered glass available in 1000, 1500, 2000, 2500, and 3000 mm lengths with metalized silver coloured curved support brackets in painted cast aluminium.

The refrigeration system is made up of a copper serpentine embedded inside of insulating polyurethane foam with thermostatic valve. It uses the R 404 gas. The condensing unit is provided on board or remote. The standard electronic control panel with digital display allows the visualisation of the interior temperature. Cylindrical buckets are optional.

