

## NEW CHOCOLAT PRALINE/PÂTISSERIE DISPLAY CASE



IFI's free-standing **Chocolat** display case is a top-of-the-range product. It is designed for **master chocolate** makers who like to extol the quality of their products in the style of a real exhibition rather than in a traditional manner emphasizing just quantity. The **Chocolat** display case is IFI's finest free-standing solution for chocolate boutiques. It is minimalist in design and measures **5676 cm<sup>2</sup> (0,57 m<sup>2</sup>)**.

**IFI's Chocolat is two display cases in one:** in fact, the same display case can be used for pralines [+14°C, 45% U.R. MAX] or for pâtisserie [+4°/+8°C]; you just need to change the temperature and humidity settings on the control panel.

The display case has a **static refrigeration system** and falls in the category of 30°C / 55% relative humidity.

**The display case comes in a single version of 1250 mm**, with on-board or remote motor, and can be installed with or without platform.

Finishes for front, sides and drawer fronts:

- TINTED veneered multi-layer birch finish (with TINTED veneered multi-layer birch work surface)
- LACQUERED veneered multi-layer birch finish (with marble, granite or agglomerate work surface)
- polished stainless steel finish (with polished stainless steel work surface)

**Chocolat** is already available for delivery.



**Section:**

Customizable server's work surface  
(in polished stainless steel, tinted multi-layer birch or marble, granite, agglomerate with lacquer)

Evaporator

Aesthetic false drawer

Extractable drawers

Stainless steel profile with polished BA finish

Gas-piston operated glass

Fixed glass

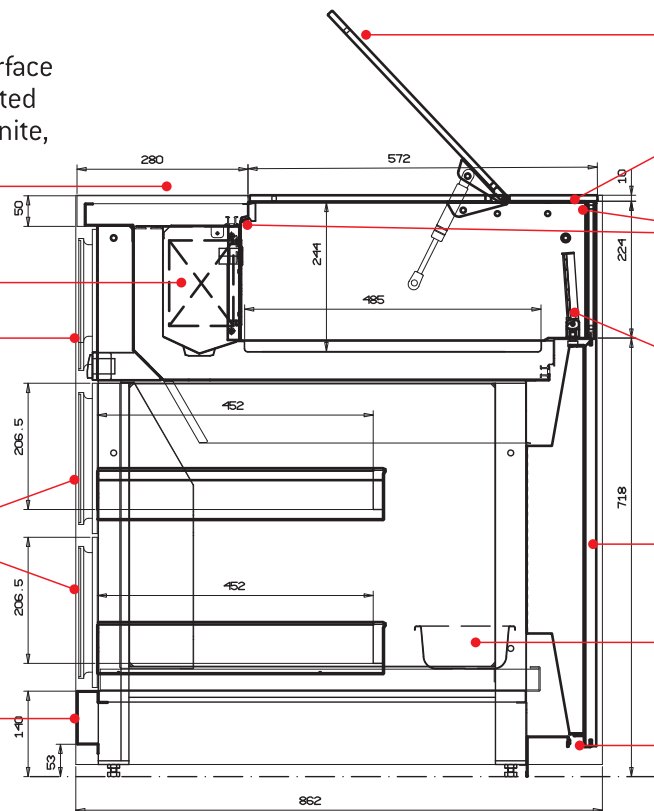
Standard grazing LED lighting on the server's and customer's side

Optional devices: 2 adjustable LED lights at the sides of the display case

Front panel with your choice of finish: tinted wood, lacquered or polished stainless steel.

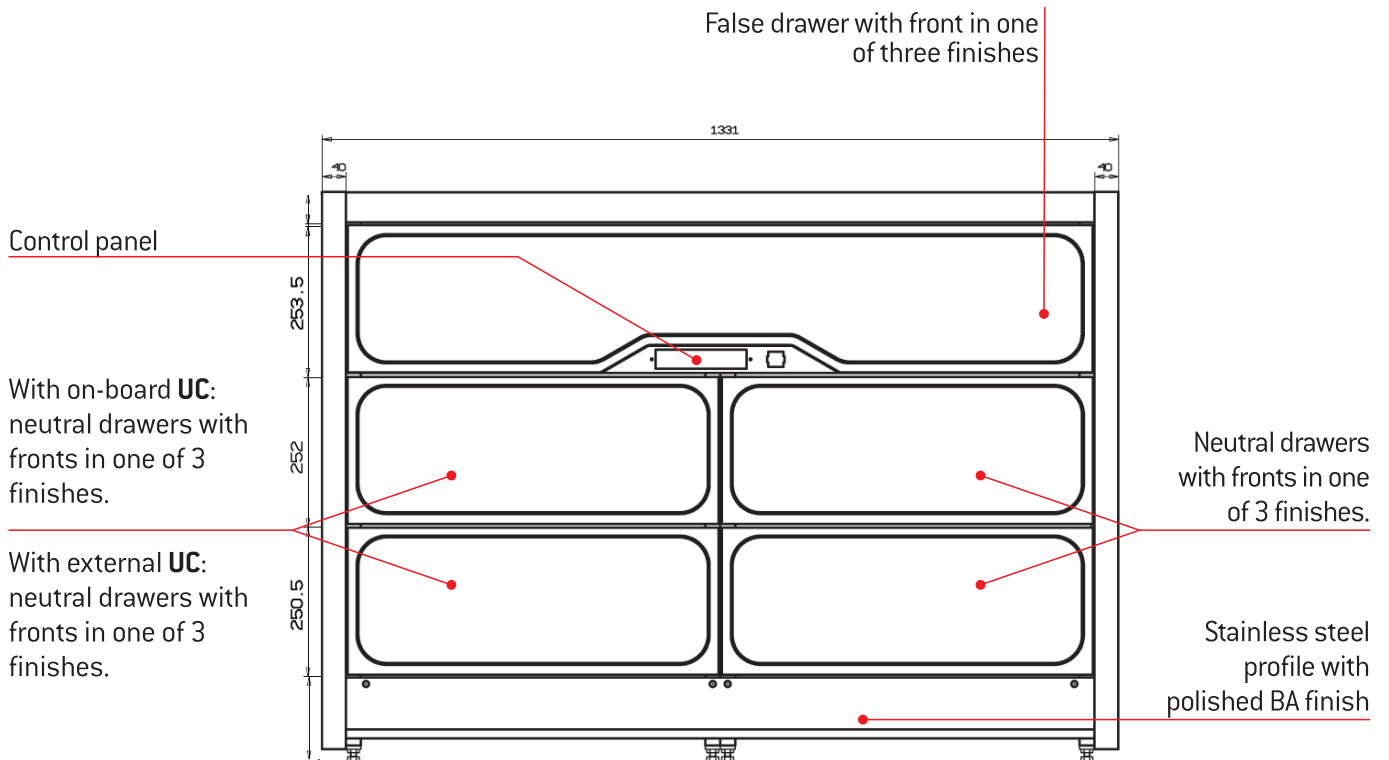
Condensation evaporation tub

Optional: LED lighting

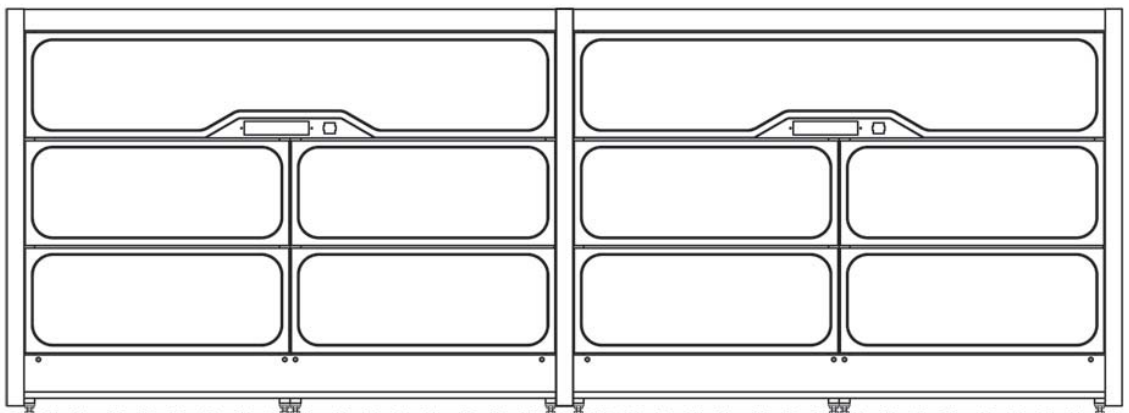


Piston-operated glass.

**Back of server's side:**



It is possible to connect 2 or more **Chocolat** display cases also with partitions between each one.





Control Panel.



False drawer with slits  
for motor ventilation.



Neutral drawer for tubs,  
belts and packs.

**You will find the price list inside extranet  
on IFI's website.**