

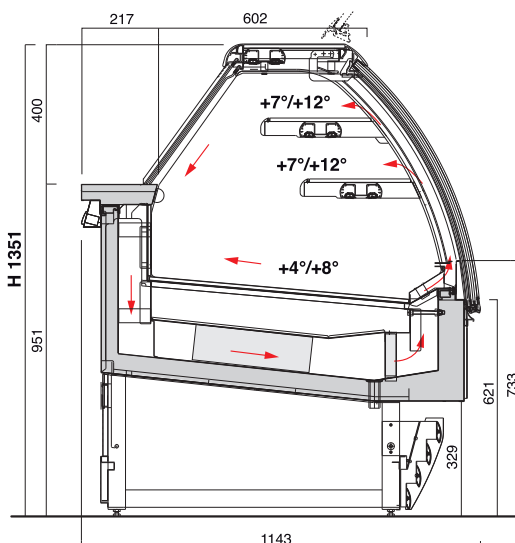
AKTIVA PASTRY DISPLAY CASE with refrigerated shelves and LED lighting.

IFI presents the new **Aktiva Pastry Display Case** fixed top at h 1351 mm, with refrigerated shelves and **LED lighting - CE and ETL versions.**

The refrigerated shelf represents an important innovation, giving the baker a greater possibility of displaying fresh pastry products. The special layout of the air output grill means that the flow is directed not only to the top but also to the shelves, thereby obtaining temperatures ranging between $+4^{\circ}/+8^{\circ}\text{C}$ on the display top and $+7^{\circ}/+12^{\circ}\text{C}$ on the two shelves. A user-friendly control panel allows you to manage direction of the cold, distributing it in three different ways, depending on the products for display:

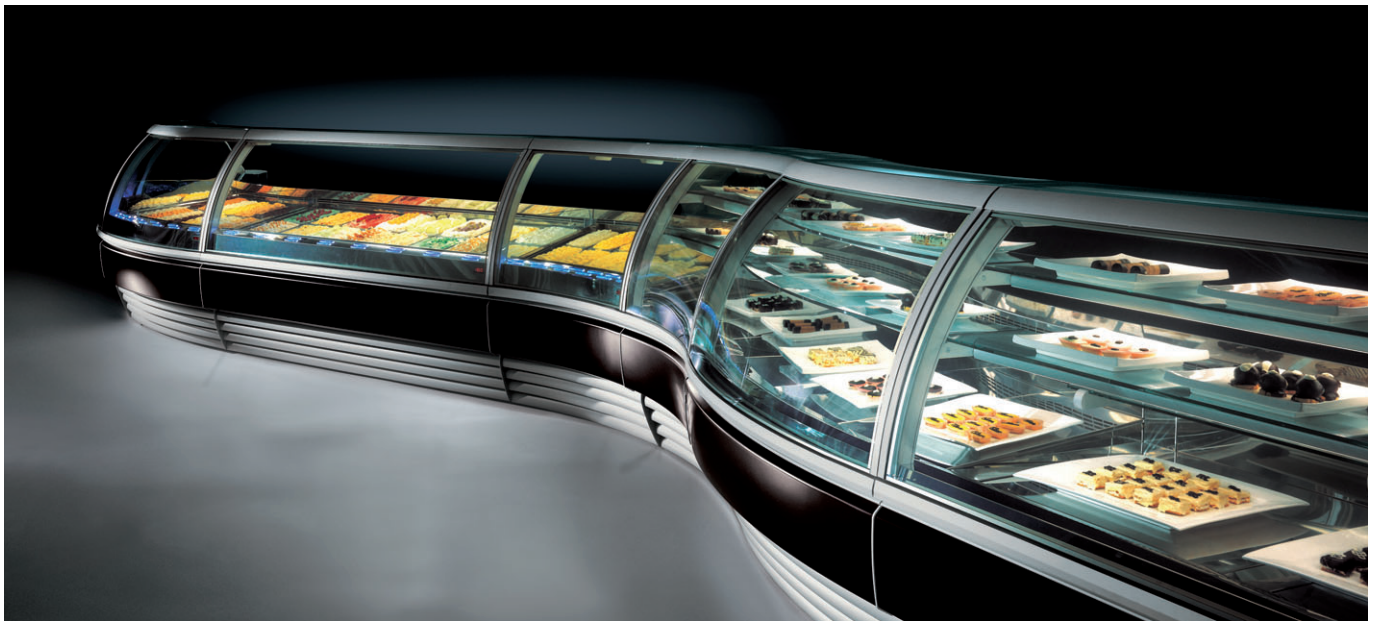
1. Ventilation only on the display top;
2. Ventilation on the display top and lower shelf;
3. Ventilation on the display top and on both shelves.

The refrigerating system has also been designed to obtain a relative humidity index that is appropriate for cake shop and pastry produce (70-80%). The 740 mm deep refrigerated display top is built from removable stainless steel tops with internal polished BA stainless steel finishes. The two display shelves, supplied as standard as 290 mm, are glass. LED lighting is used: it does not heat and lasts much longer than normal fluorescent lighting.



The system is with automatic hot gas defrost and on-board condensation unit (UC) or remote (NUC) with external condensation drain. The condensation unit features two fans, the second of which is thermostatic: this all leads to less heat and less noise for the operator. Tests carried out in climate class $30^{\circ}\text{C} / 55\%$ relative humidity. The refrigerated shelves version is available in the 1100 - 1600 - 2100 - A2/45° - A2/30° modules, exclusively with rear sliding doors.

AKTIVA: optional LEDs on all CE and ETL modules.



As of today, all the modules and services of the Aktiva display cabinets line (linear and curved, h 1351 and 1436) are available with optional LED lighting. LED lighting guarantees:

- high reliability and efficiency
- long-lasting, as not affected by the number of times they are switched on and off
- low consumption
- safe functioning because very low voltage.

The AKTIVA range is therefore enhanced by an important characteristic both in practical and aesthetic terms: a cold, elegant light for a perfect display of your product, exalting forms and colours. This lighting also avoids having to install chillers within the ceiling lamps.

LED lighting is optional in lieu of fluorescent tube lights, unless the composition includes a refrigerated shelf display cabinet where LED lighting is supplied as standard.

